

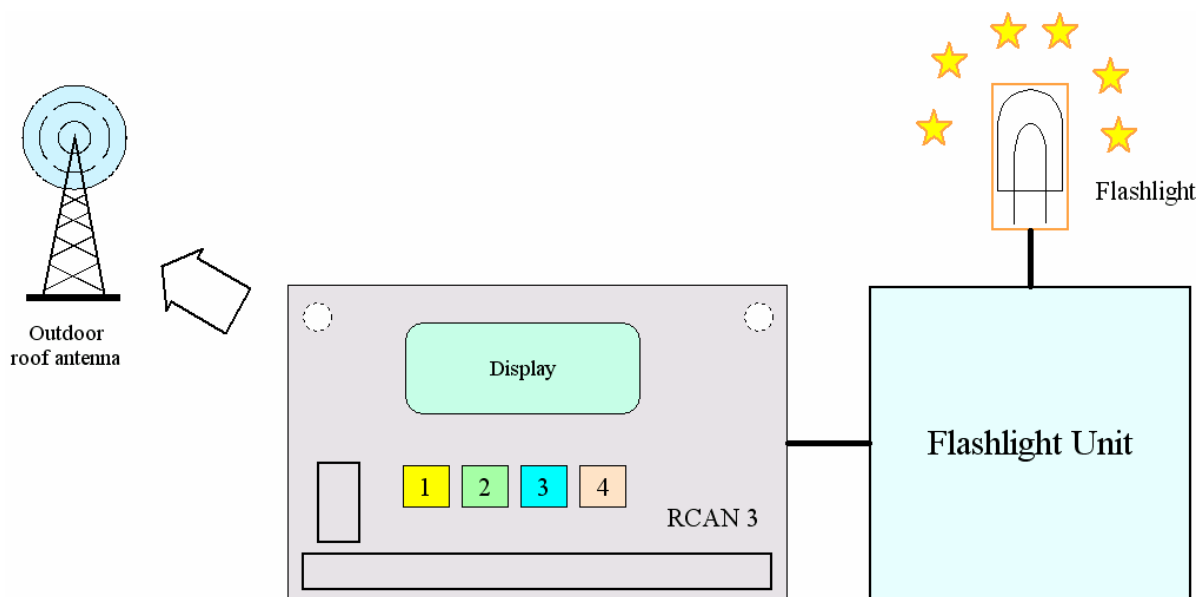
# Radio Controlled Approach Light Network RCAN 3

## Introduction:

The **RCAN 3** provides wireless control of FLASH LIGHT LAMP units. **RCAN 3**, the sophisticated radio-link controlled approach lighting system employs coded commands with echoed command and system status verification.

The **RCAN 3** is proven over at least 10 km distance to the Master Control Tower to substitute or replace expensive and unreliable cable system placed on earth, especially in tropical areas.

The **RCAN 3** normally can not be influenced by any weather condition, including heavy thunderstorms.



Command transfer and acknowledgement time span is normally less than 5 seconds.

The flexible, module **RCAN 3** concept complies with wide scope customer requirements.

The **RCAN 3** is prepared for upgrading into to a real-time "LIL system".

## Construction:

The **RCAN 3** fits into a 19 inch rack unit. Additional space is available for the power supply and output devices. A robust front cover protects the entire unit.